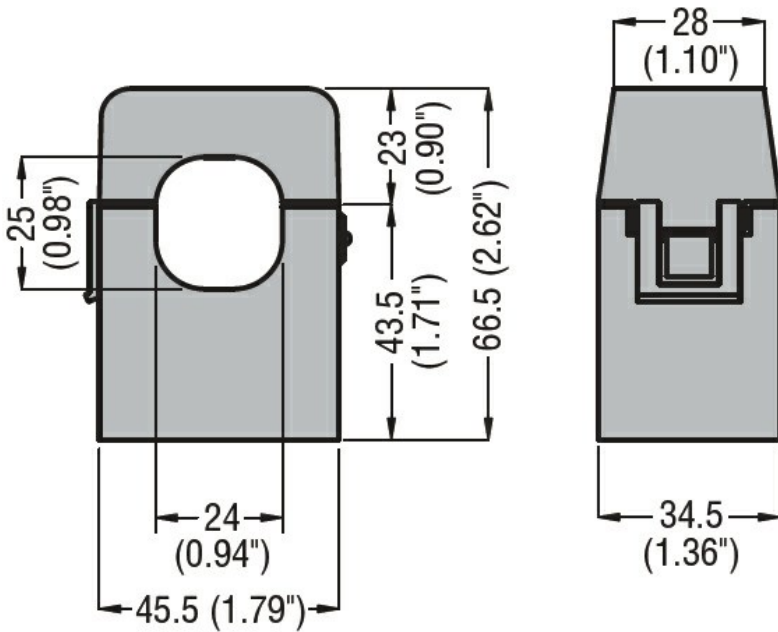




| | | | | |
|---|-----------------------|-------|----------------|----------------------|
| Product designation | | | | Current transformers |
| Product type designation | | | | DM1TMA0100 |
| Auxiliary supply U_s | | | | |
| Operational frequency | | min | Hz | 50 |
| | | max | Hz | 60 |
| Current inputs | | | | |
| Primary current I_{pn} (/5) | | | A | 100 |
| Secondary output current | | | A | 5 |
| Overload withstand I_{pn} | | | % | 120 |
| Burden | | cl. 1 | VA | 1 |
| Insulations | | | | |
| Rated insulation voltage U_i IEC/EN | | | V | 720 |
| IEC rated short-time thermal current I_{th} | | | I_{th} for s | 40...60 |
| IEC rated dynamic current I_{dyn} | | | I_{th} for s | 2.5 |
| Insulation dry type | | | | Class E |
| Mechanical features | | | | |
| Terminals type | | | | 2m pre-wired |
| Weight | | | g | 200 |
| Ambient conditions | | | | |
| Temperature | Operating temperature | | | |
| | | min | °C | -25 |
| | | max | °C | +50 |
| | Storage temperature | | | |
| | | min | °C | -40 |
| | | max | °C | +80 |
| Relative humidity | | | % | 90 |
| Dimensions | | | | |



Certifications and compliance

Compliance

IEC/EN/BS 61869-1

IEC/EN/BS 61869-2

Certificates

EAC

GOST

ETIM classification

ETIM 8.0

EC002048 -
 Current
 transformer